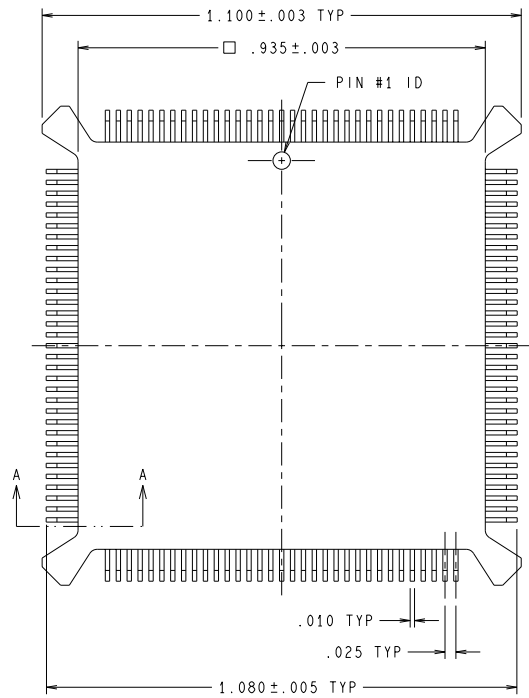
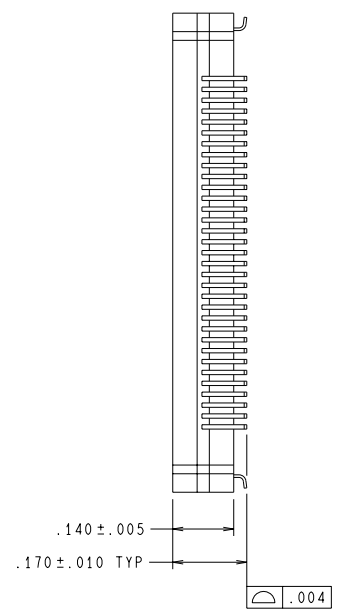


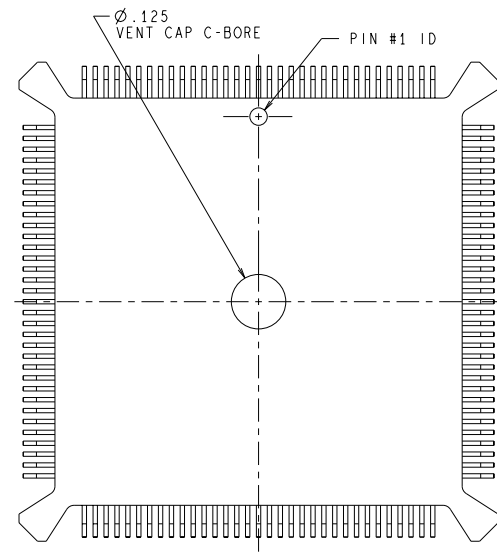
REVISIONS				
LTR	DESCRIPTION	E.C.N.	DATE	BY/APP'D
A	RELEASE TO DOCUMENT CONTROL	10649	10/20/94	KES/



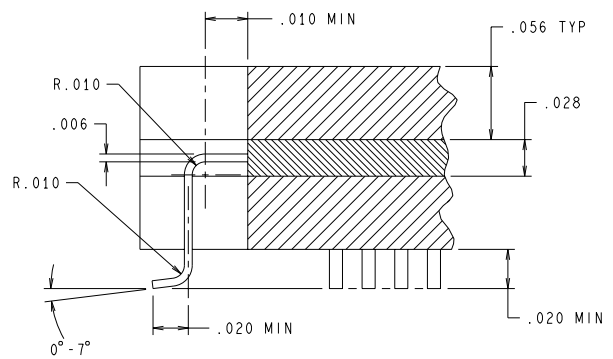
TOP VIEW (CAVITY DOWN)
BOTTOM VIEW (CAVITY UP)



DIMENSIONS ARE IN INCHES



BOTTOM VIEW (CAVITY DOWN)
TOP VIEW (CAVITY UP)



SECTION A-A
TYPICAL, SCALE: 15X

NOTES: UNLESS OTHERWISE SPECIFIED

- STANDARD LEAD FINISH: 200 MICRONS MINIMUM SOLDER PLATING (85/15) THICKNESS.
- REFERENCE: INDY DRAWING 04-132-YU-001, REV C, DATED 03/02/94.

APPROVALS		DATE		 National Semiconductor 2900 Semiconductor dr, Santa Clara, CA 95052-8090	
DRAWN KURT SINCERBOX		10/20/94			
DTG. CHK.					
ENGR. CHK.					
MQUAD, (S), 132 LEAD					
 PROJECTION 1st ANGLE INCH MM		SCALE	SIZE	DRAWING NUMBER	REV
		N/A	C	MKT-AFB132A	A
DO NOT SCALE DRAWING				SHEET 1 of 1	