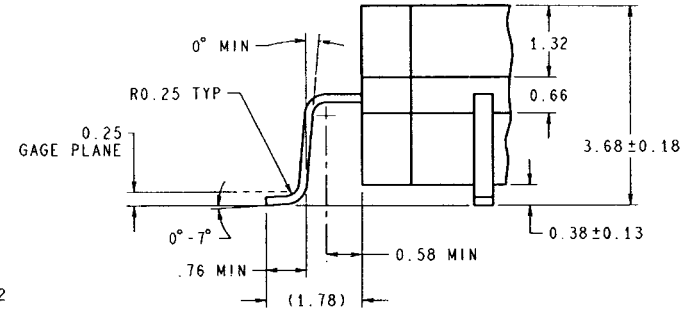
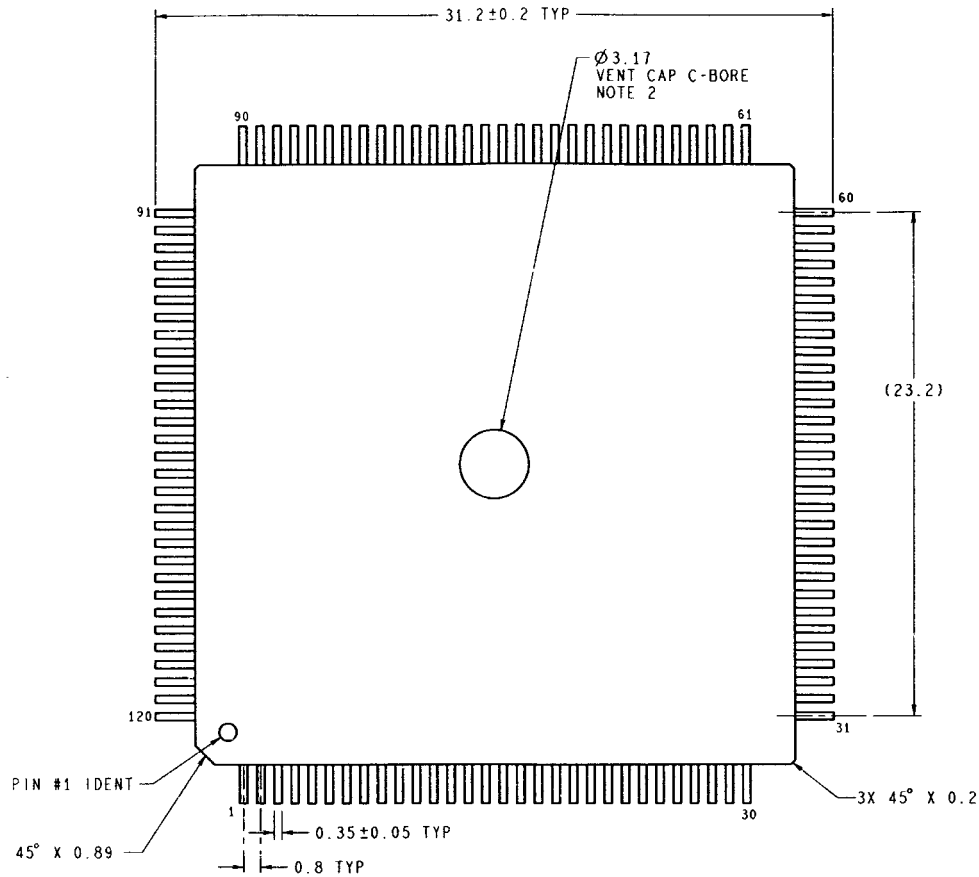
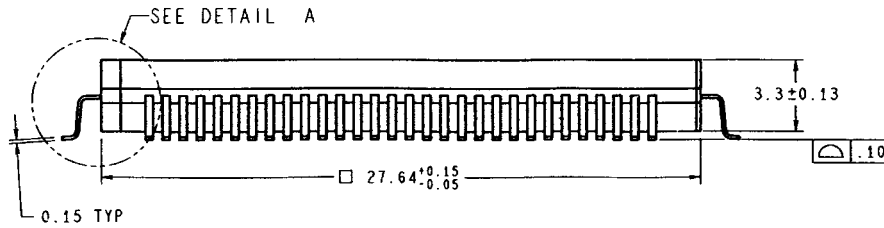


REVISIONS				
LTR	DESCRIPTION	E.C.N.	DATE	BY/APP'D
B	REVISE AND REDRAW PER NEW STANDARD	11301	01/09/96	DEG/S.M.



DETAIL A
TYP, SCALE: 15X
NOTE 2



DIMENSIONS ARE IN MILLIMETERS

NOTES: UNLESS OTHERWISE SPECIFIED.

- STANDARD LEAD FINISH: 5.08 MICROMETERS MINIMUM SOLDER PLATING (85/15) THICKNESS.
- THE LEADS CAN BE FORMED FOR CAVITY UP OR DOWN:
-THE VENT CAP WILL BE ON THE TOP FOR CAVITY UP (SHOWN)
-THE VENT CAP WILL BE ON THE BOTTOM FOR CAVITY DOWN
- REFERENCE: OLIN DRAWING 04-120-YH-001, REV C, DATED 11/93

APPROVALS	DATE	National Semiconductor			
DRAWN <i>D.E. Grady</i>	01/09/96	2900 Semiconductor dr., Santa Clara, CA 95052-0090			
DFTG. CHK. <i>[Signature]</i>		MQAD, 28 X 28 X 3.3mm, 120 LEAD			
ENGR. CHK. <i>[Signature]</i>					
PROJECTION 		SCALE N/A	SIZE C	DRAWING NUMBER MKT-AUZ120A	REV B
		DO NOT SCALE DRAWING		SHEET 1 of 1	