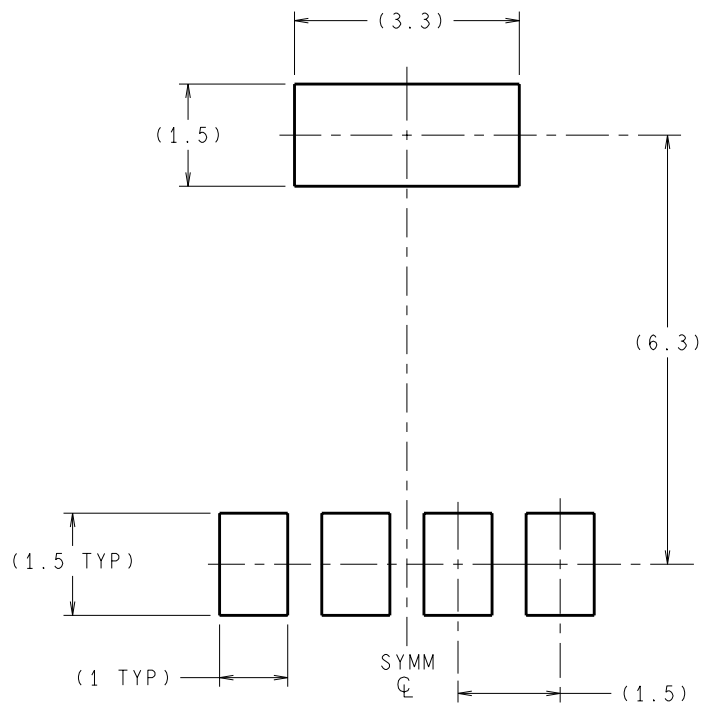
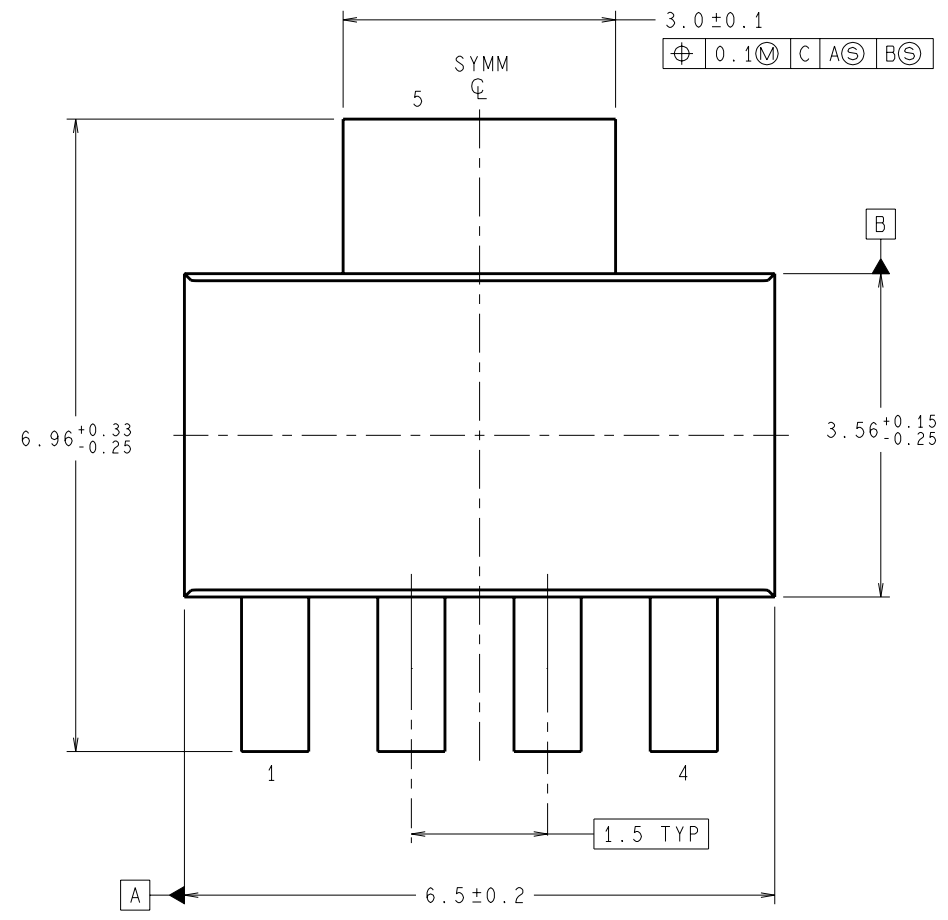
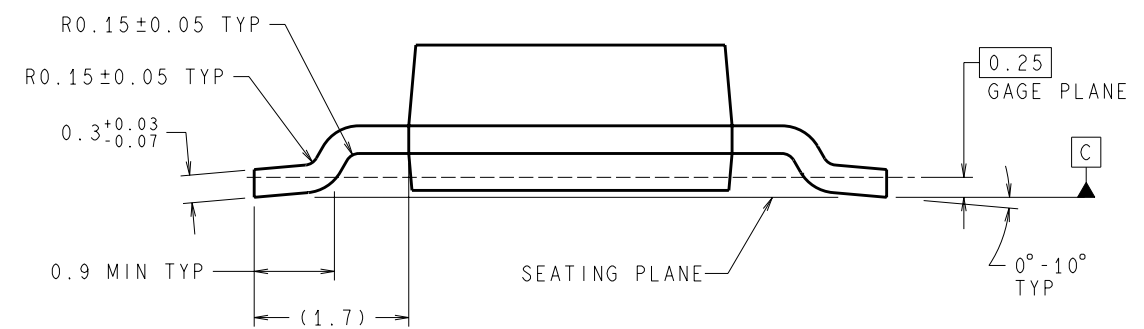
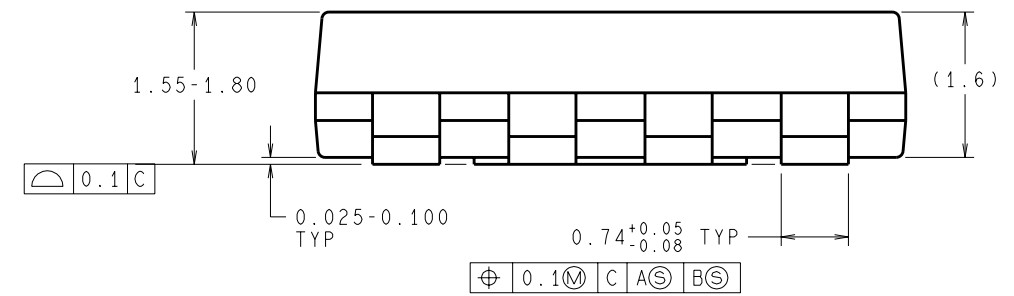


REVISIONS				
LTR	DESCRIPTION	E.C.N.	DATE	BY/APP'D
A	RELEASE TO DOCUMENT CONTROL	12364	01/11/2000	MS/RW



**LAND PATTERN RECOMMENDATION**



**DIMENSIONS ARE IN MILLIMETERS**

NOTES: UNLESS OTHERWISE SPECIFIED

- STANDARD LEAD FINISH TO BE 5.08 MICROMETERS MINIMUM TIN/LEAD (SOLDER) ON COPPER.
- REFERENCE JEDEC REGISTRATION TO-261, VARIATION AB, ISSUE B, DATED FEBRUARY 1999.

APPROVALS	DATE	National Semiconductor 2900 Semiconductor Dr., Santa Clara, CA 95052-8090			
DRAWN <b>MARTA SUCHY</b>	01/11/2000				
DFTG. CHK. <b>THANH LEQUANG</b>	01/11/2000				
ENGR. CHK. <b>RANDALL WALBERG</b>	01/11/2000	<b>MOLDED SOT-223,          6.50 X 3.56 X 1.6mm BODY,          5 LEAD, 1.5mm PITCH</b>			
PROJECTION INCH [MM]		SCALE N/A	SIZE C	DRAWING NUMBER (SC)MKT-MP05A	REV A
FORMERLY: N/A		SHEET 1 of 1			