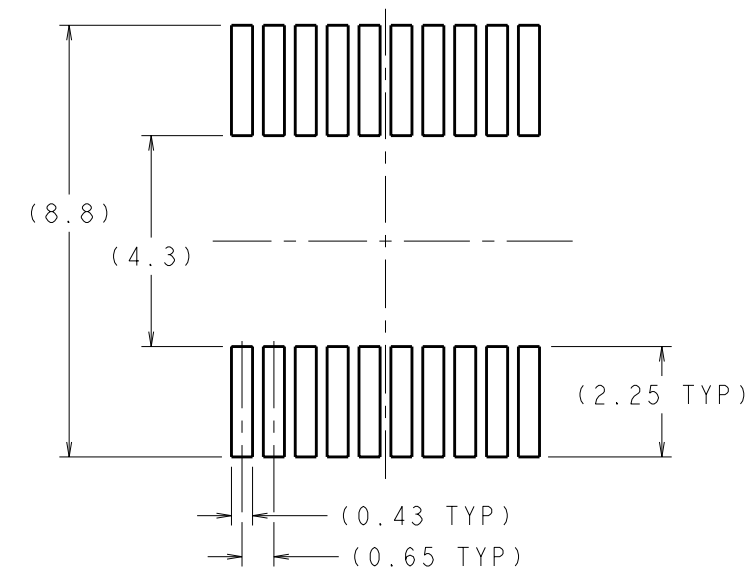
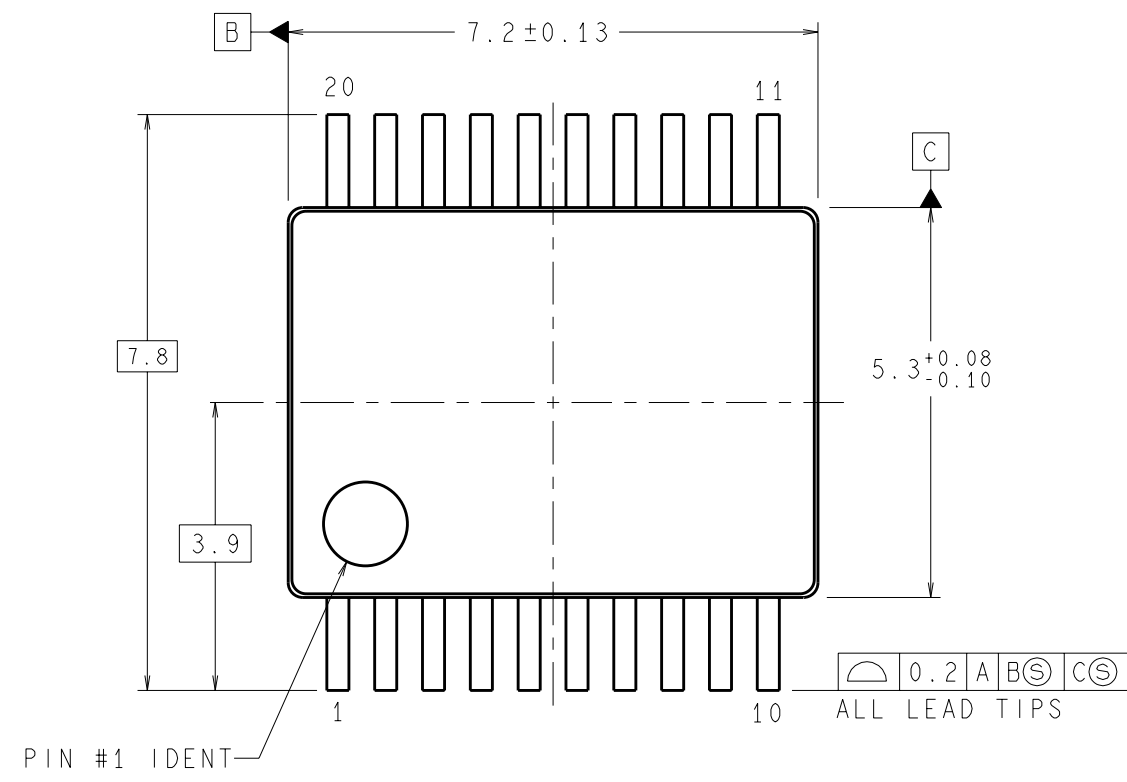
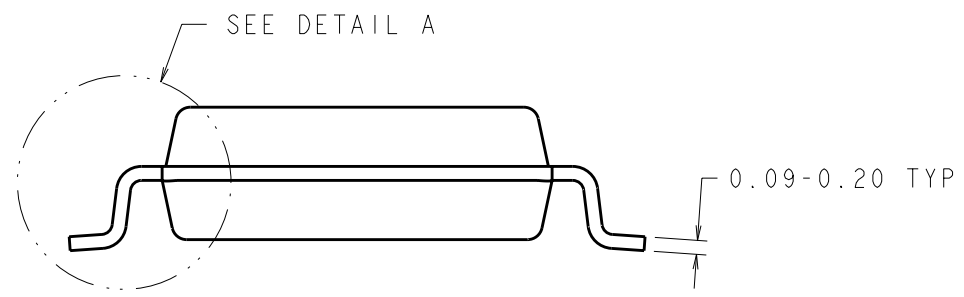
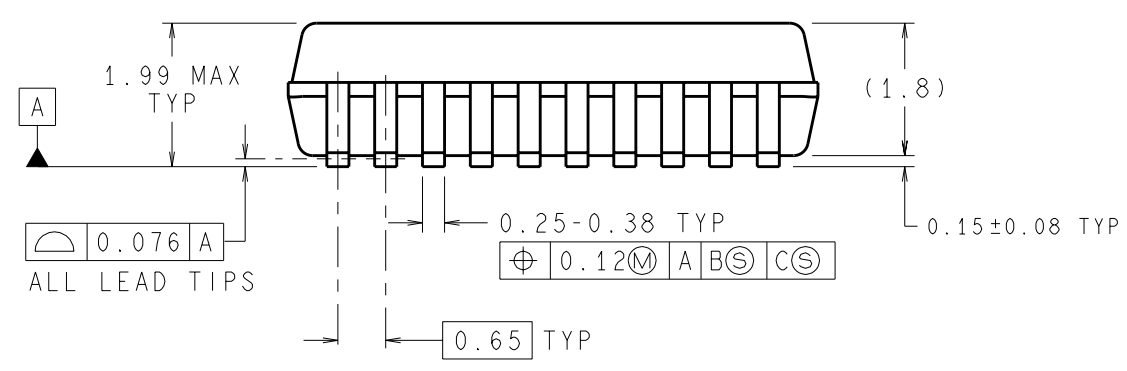


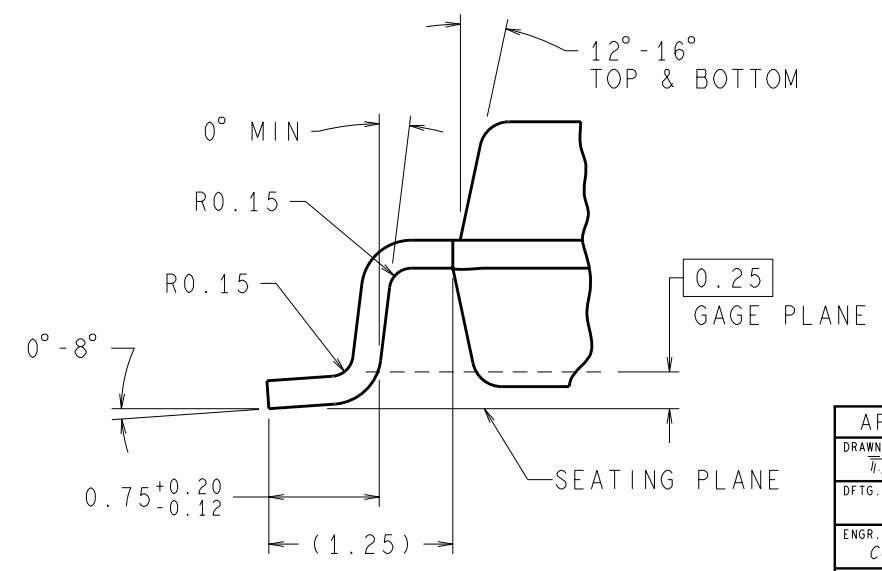
REVISIONS				
LTR	DESCRIPTION	E.C.N.	DATE	BY/APP'D
B	REVISE & REDRAW PER CURRENT STANDARDS; ADD LAND PATTERN RECOMMENDATION	123	07/12/2000	TL/CD



LAND PATTERN RECOMMENDATION



DIMENSIONS ARE IN MILLIMETERS



DETAIL A
TYP, SCALE: 30X

APPROVALS	DATE	National Semiconductor			
DRAWN T. LEQUANG	07/12/2000	2900 Semiconductor Dr., Santa Clara, CA 95052-8090			
DFTG. CHK. MARTA SUCHY	07/12/2000	MOLDED SSOP, 5.3mm BODY WIDTH, 0.65mm PITCH, EIAJ, TYPE II, 20 LEAD			
ENGR. CHK. CORNEL DEVERA	07/12/2000				
PROJECTION		SCALE	SIZE	DRAWING NUMBER	REV
INCH [MM]		N/A	C	(SC)MKT-MSA20	B
DO NOT SCALE DRAWING				SHEET 1 of 1	